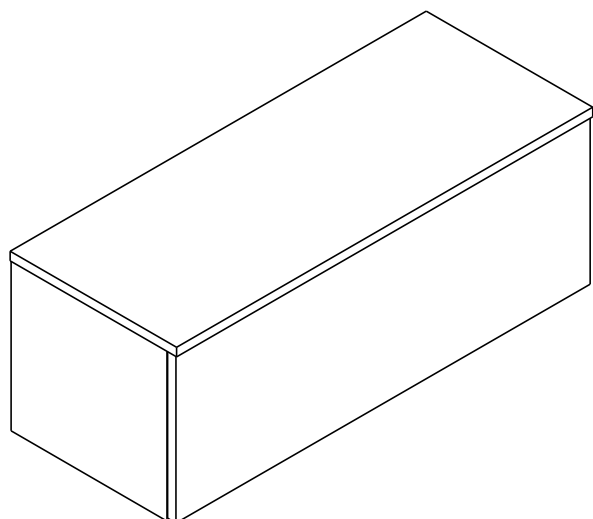
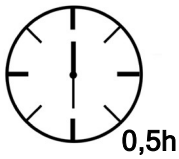
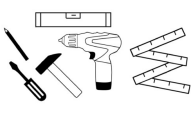
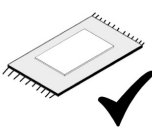


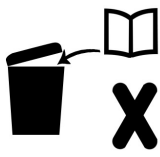
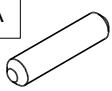
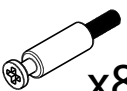

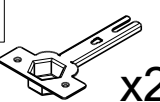


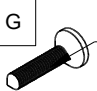
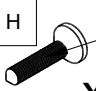
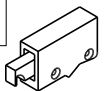
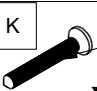
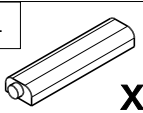
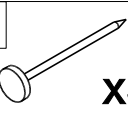



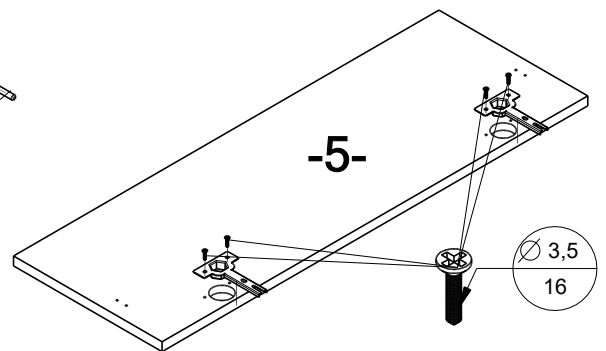
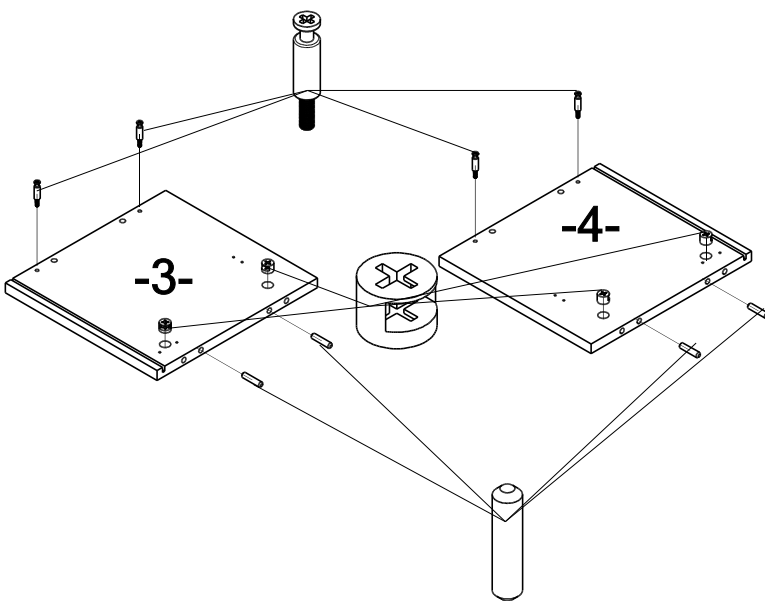
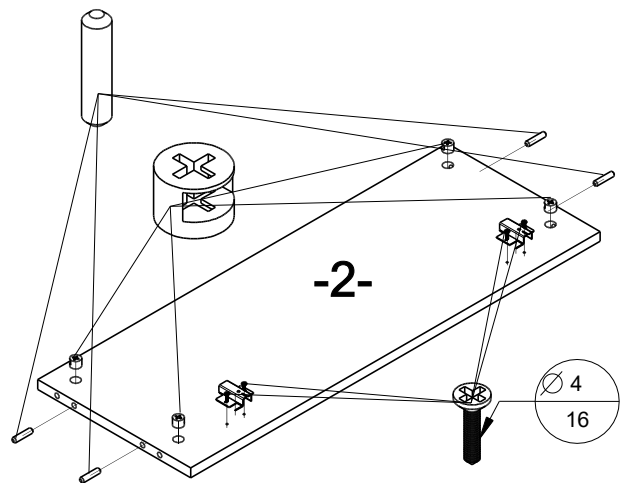
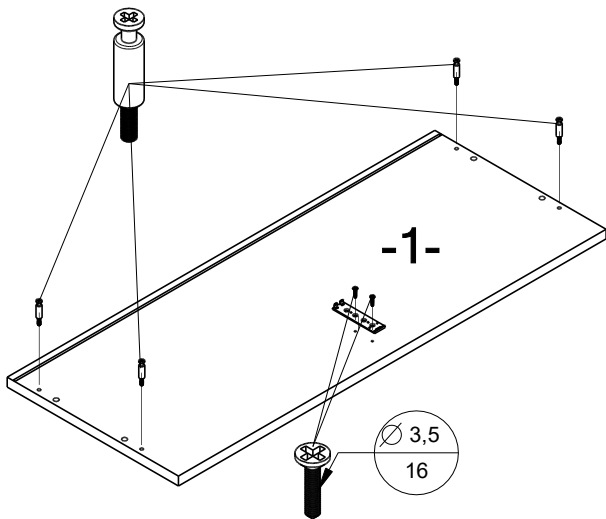
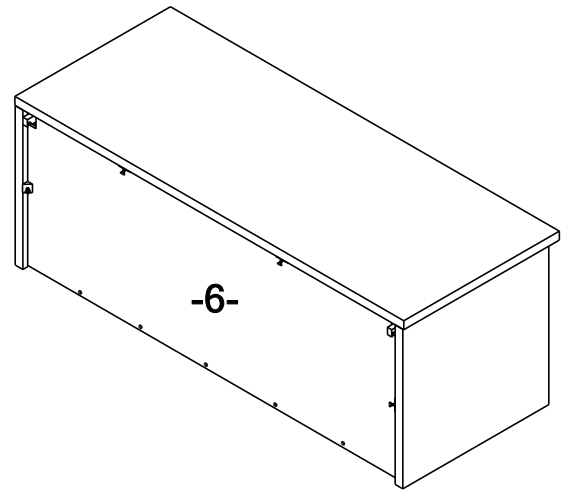
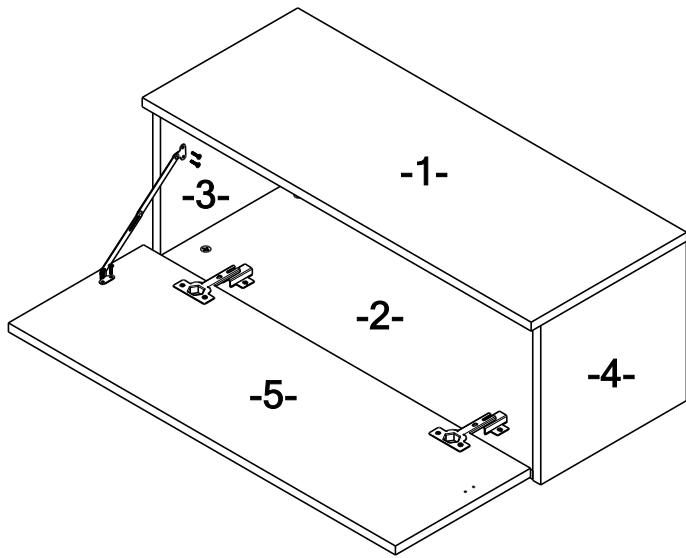
GOLD 80

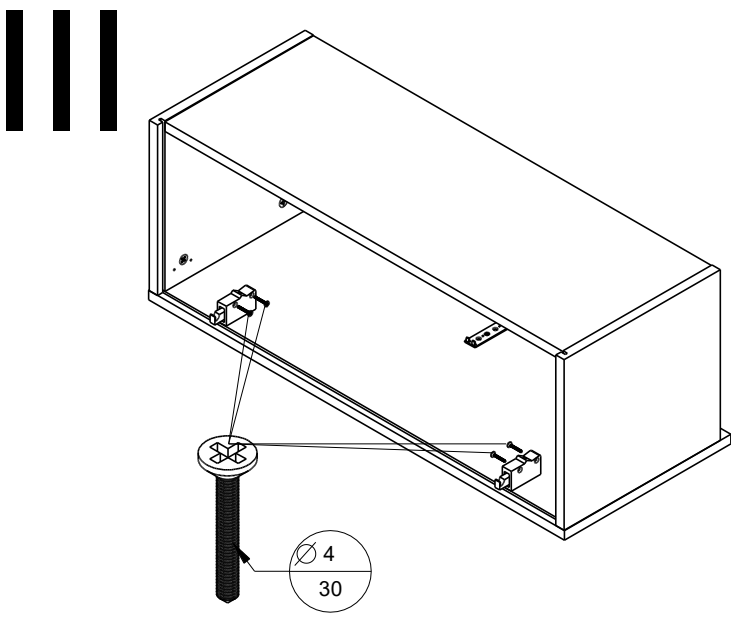
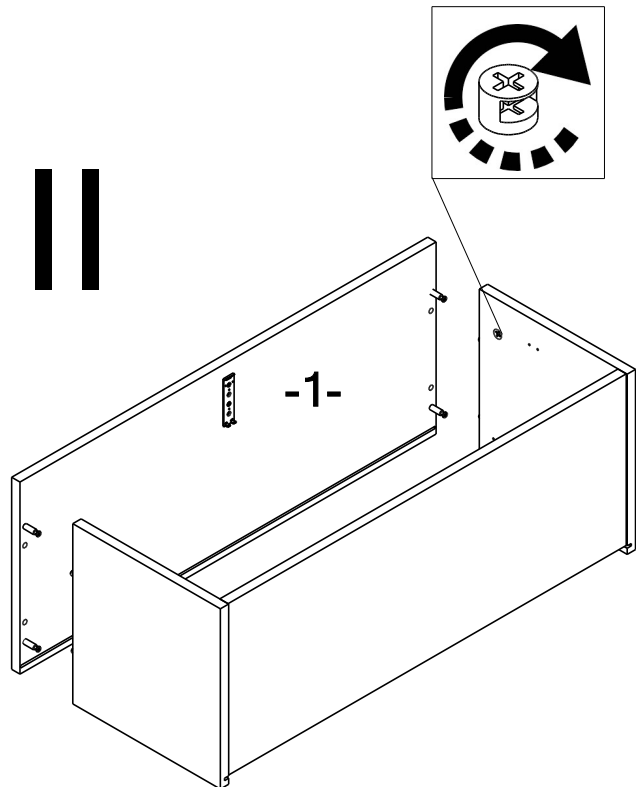
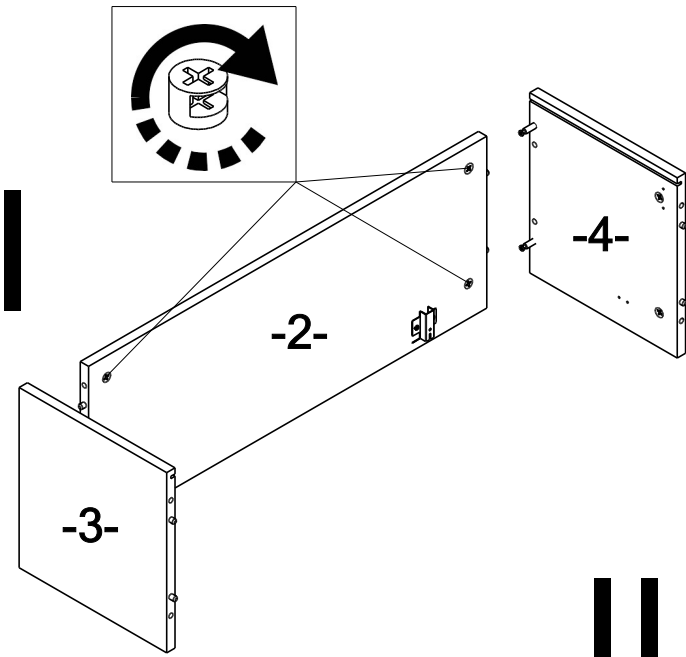


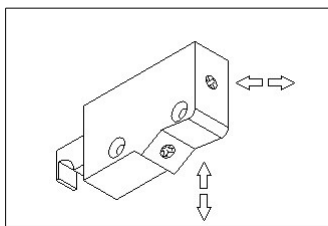
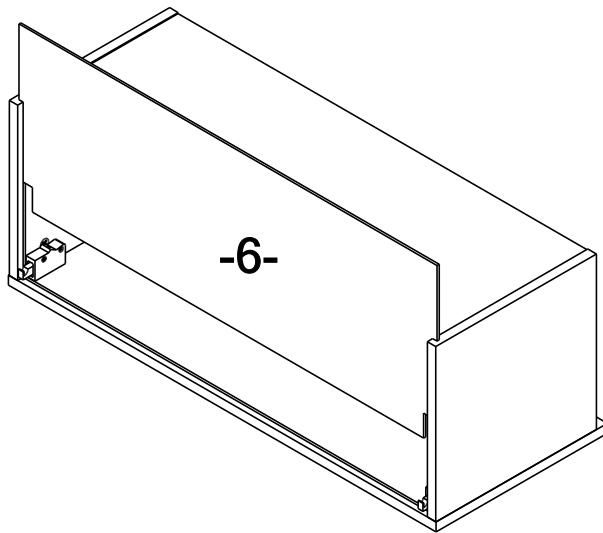
A  x8	B  x8	C  x8
D  x2	E  x2	F  x1
G  x10	H  x4	J  x2
K  x4	L  x1	M  x5
N  x4		

	WYMIARY ELEM.
-1-	800x320
-2-	766x320
-3-	284x300
-4-	284x300
-5-	280x796
-6-	292x782

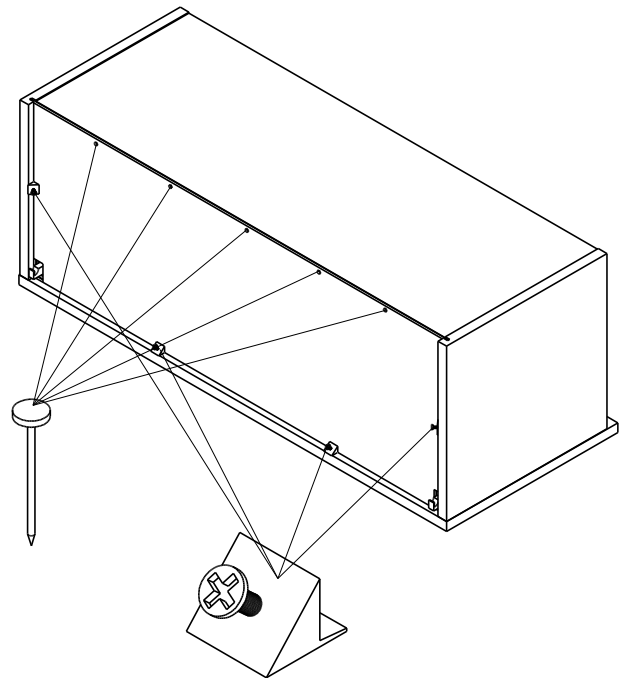




IV



V



VI

